

1 2 3 4 5 6 7 8

D

D

C

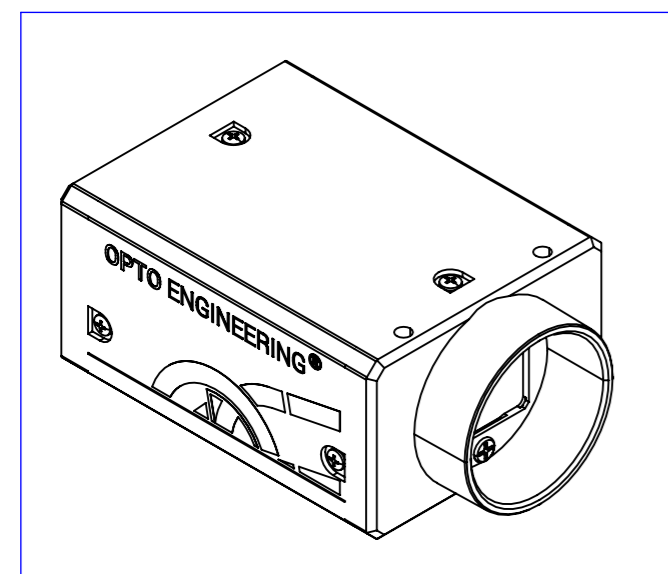
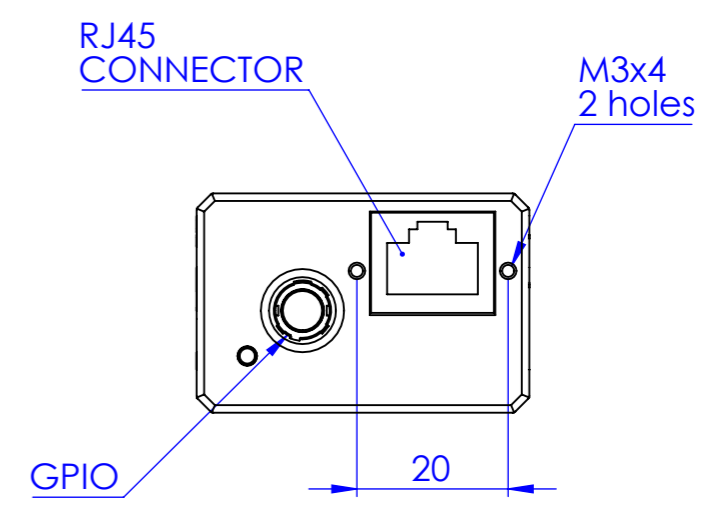
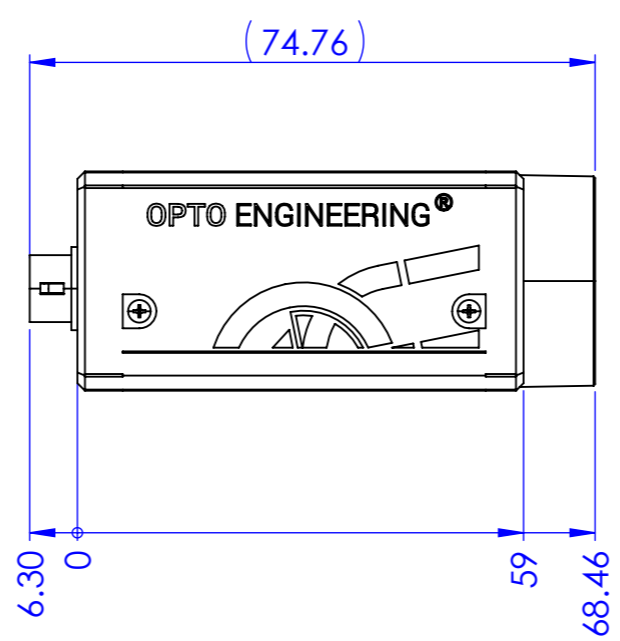
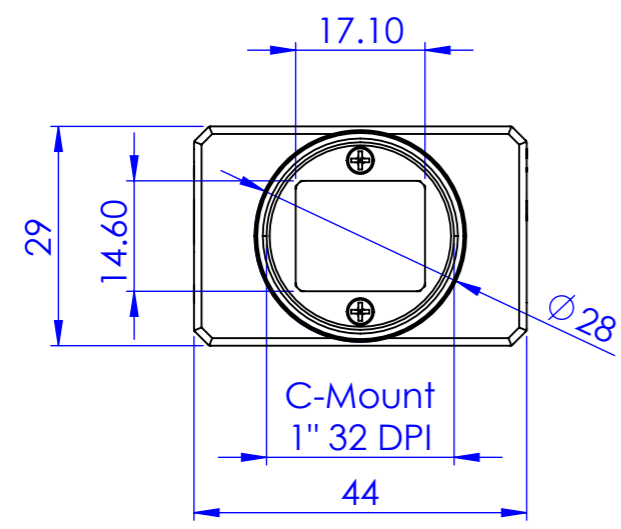
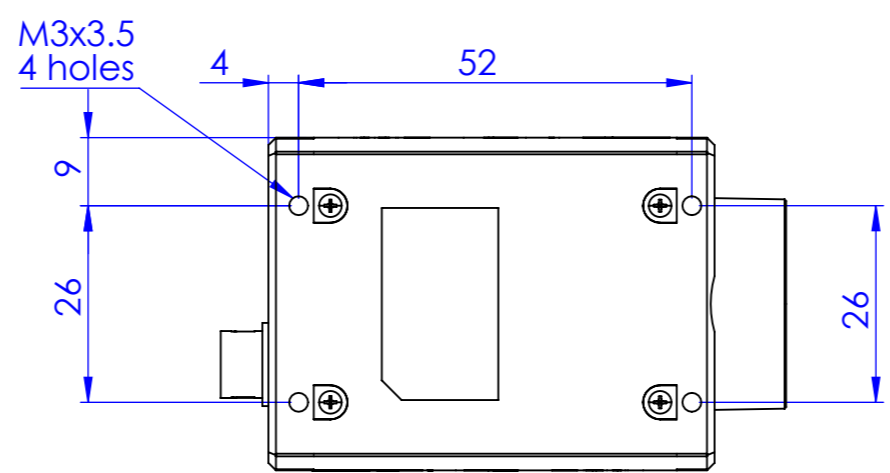
C

B

B

A

A



Material		N.A.		Mass		100 g		Scale		1:1	
Surface treatment		N.A.		Part No.		CO28946					
Geometrical tolerance (ISO 2768-2)								Class		K	
Linear tolerance (ISO 2768-2)								Class		m	
0.5	>3	>6	>30	>120	>400	>1000	>2000	Undimensioned bevels	0.5x45°	Description	
±3	6	30	120	±400	1000	±2000	±4000	Undimensioned radii	R 0.5	COE-XXX-Y-POE-TYPE2	
±0.1	±0.1	±0.2	±0.3	±0.5	±0.8	±1.2	±2	Drawing No.		Sheet	
		Date		Name		Drawing No.		Sheet		<i>Secret and confidential - All rights reserved - No copy, dissemination or circulation is allowed unless specifically authorized in writing by OPTO ENGINEERING S.r.l. - Any violation shall be legally prosecuted.</i>	
		Designed 15/04/2019		Rodella		DP 28946-B		1/1			
		Drawn 15/04/2019		Rodella							
		Checked 16/04/2019		Rodella							
OPTO ENGINEERING S.r.l. - Mantova, Italy - Tel. +39 0376699111 - www.opto-e.com											

1 2 3 4 5 6 7 8

0 1 2 3 4 5 6 7 8 9 10